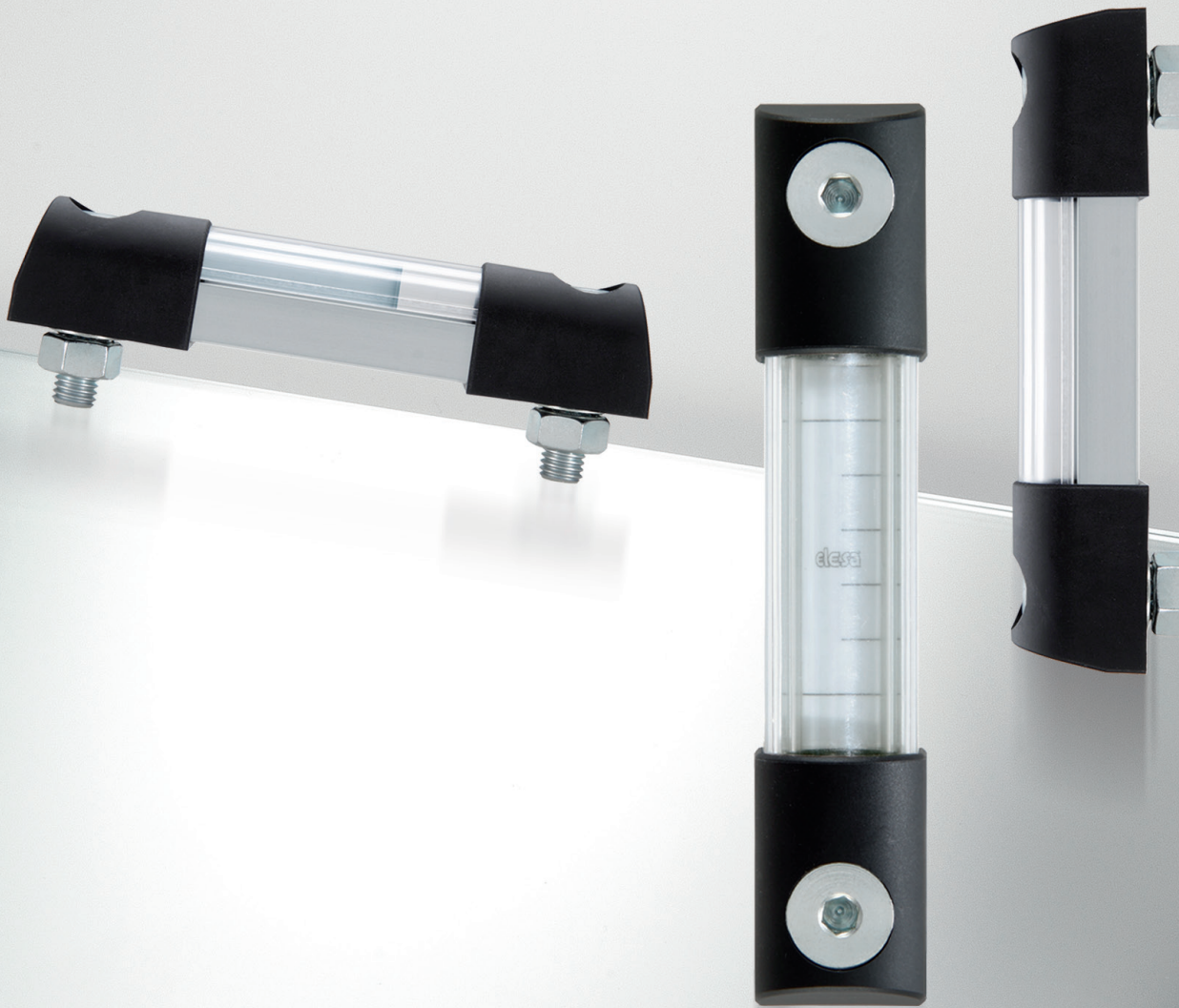




High performing
column level indicators



Column level indicators with or without transparent protection (Elesa patent)



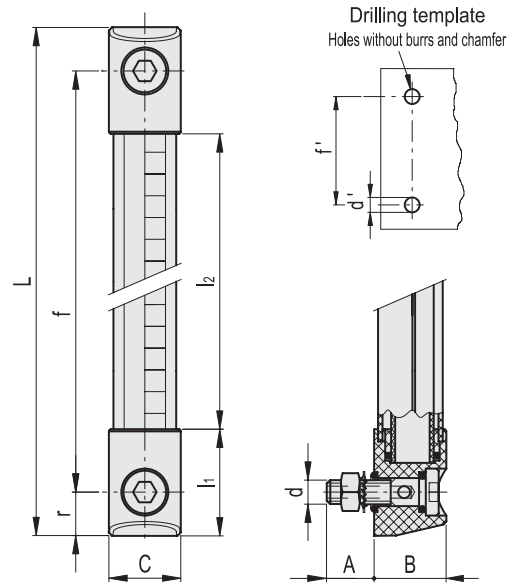
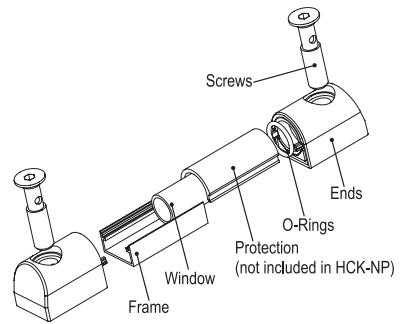
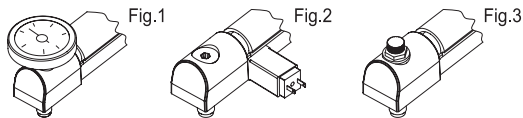
- **Assembly ends**
Glass-fibre reinforced polyamide based (PA) technopolymer, black colour.
- **Support**
Aluminium in natural colour.
- **Column level window**
Polycarbonate transparent tube.
Maximum fluid level visibility even from side positions.
- **Screws, nuts and washers**
Zinc-plated steel.
- **Packing rings**
NBR rubber O-Ring.
- **Graduated contrast screen**
Self-adhesive plastic material, resistant to oils, greases.
Fitted to the aluminium support.
- **Standard executions**
 - **HCK**: with transparent front protection (against accidental shocks), in polycarbonate (PC), extractable for cleaning operations.
 - **HCK-NP**: without transparent front protection.
- **Maximum continuous working temperature**
100°C (with oil).

Technical data

In laboratory tests carried out with mineral oil type CB68 (according to ISO 3498) water or water/glycol-based solutions (50%), at 23°C for a relatively limited time, the values of pressure resistance were very high even higher than 35 bar. If you need to use the indicator with other oils or fluids and under different pressure and temperature conditions, please contact ELESA Technical Department. In any case we suggest to verify the suitability of the product under the actual working conditions.

Special executions on request

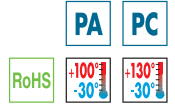
- Column level window in transparent methylmethacrylate (PMMA) for max 70°C use.
- AISI 303 stainless steel screws with hexagon socket.
- Polyamide based technopolymer float (from HCK.127) red colour.
- Expanded NBR float (from HCK.176) black colour with AISI 316 stainless steel spiral for special executions, viscous liquids, high temperatures.
- Column level window with visibility (I2) superior to 452 mm and holes centre distance for fixing up to 1.500 mm.
- Electric sensor bracket pre-set at the following temperatures: 50°C, 60°C, 70°C, 80°C.
- Packing rings in special material depending on the customer's needs.
- Built-in thermometer with red indication line.
- External scale thermometer (Fig. 1) with internal probe for fluid temperature.
- SLICK electric control level sensor (Fig.2, from HCK.127) which can be fitted along the axis of the indicator according to the actual needs. With right (DX) or left (SX) connectors, normally closed (NC), normally open (NO).
- Special screw with nickel-plated brass tap (Fig. 3) to be fitted to the lower assembly end for any maintenance operation requiring the indicator exclusion.



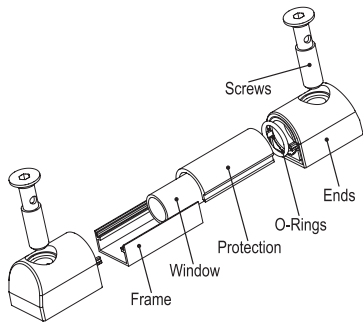
Standard Elements				Main dimensions									Mounting holes		C #	\triangle
Code	Description	Code	Description	f	d	A	B	C	L	l1	l2	r	d'±0.2	f'±0.2	[Nm]	g
111001	HCK.76-M10	111001-NP	HCK.76-M10-NP	76	M10	20	33	33	113	35.5	42	18.5	10.5	76 ±0.2	12	183
111011	HCK.127-M12	111011-NP	HCK.127-M12-NP	127	M12	20	33	33	164	46.5	71	18.5	12.5	127±0.5	12	220
111021	HCK.176-M12	111021-NP	HCK.176-M12-NP	176	M12	20	33	33	213	46.5	120	18.5	12.5	176±0.5	12	250
111031	HCK.254-M12	111031-NP	HCK.254-M12-NP	254	M12	20	33	33	291	46.5	198	18.5	12.5	254±0.5	12	298
111041	HCK.381-M12	111041-NP	HCK.381-M12-NP	381	M12	20	33	33	418	46.5	325	18.5	12.5	381±0.5	12	377
111051	HCK.508-M12	111051-NP	HCK.508-M12-NP	508	M12	20	33	33	545	46.5	452	18.5	12.5	508±0.5	12	455



Column level indicators with transparent protection for glycol-based solutions (Elesa patent)



- **Assembly ends**
Glass-fibre reinforced polyamide based (PA) technopolymer, black colour.
 - **Support**
Aluminium in natural colour.
 - **Column level window**
Transparent tube in Pyrex, also suitable for use with glycol-based solutions. Maximum fluid level visibility even from side positions.
 - **Transparent front protection** (against accidental shocks)
Polycarbonate (PC), extractable for cleaning operations.
 - **Screws, nuts and washers**
 - HCK-GL: screws with hexagon socket, zinc-plated steel nuts and washers.
 - HCK-GL-SST: AISI 303 stainless steel screws with exagonal socket, AISI 304 stainless steel nuts and washers.
 - **Packing rings**
 - HCK-GL: rubber O-ring.
 - HCK-GL-SST: FKM type VITON®* synthetic rubber O-Ring.
 - **Graduated contrast screen**
Self-adhesive plastic material, resistant to oils, greases. Fitted to the aluminium protection.
 - **Maximum continuous working temperature**
 - HCK-GL: 100°C (with oil, water, glycol-based solutions).
 - HCK-GL-SST: 130°C (with oil, water, glycol-based solutions).
- In laboratory tests these indicators showed an excellent resistance to temperatures up to 150/160°C for many hours with pressures of 5/6 bar.



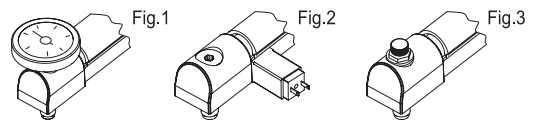
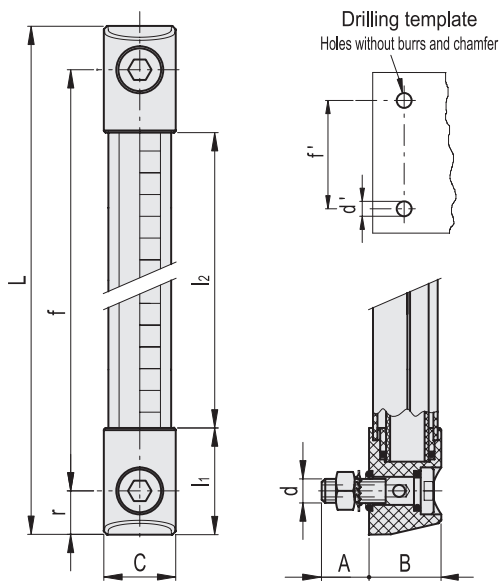
Technical data

In laboratory tests carried out with mineral oil type CB68 (according to ISO 3498) water or water/glycol-based solutions (50%), at 23°C for a relatively limited time, the values of pressure resistance were very high even higher than 35 bar. If you need to use the indicator with other oils or fluids and under different pressure and temperature conditions, please contact ELESA Technical Department. In any case we suggest to verify the suitability of the product under the actual working conditions.

Special executions on request

- Polyamide based technopolymer float (from HCK.127) red colour.
- Expanded NBR float (from HCK.176) black colour with AISI 316 stainless steel spiral for special executions, viscous liquids, high temperatures.
- Column level window with visibility (l2) superior to 452 mm and holes centre distance (f) for fixing up to 1.500 mm.
- Electric sensor bracket pre-set at the following temperatures: 50°C, 60°C, 70°C, 80°C.
- Packing rings in special material depending on the customer's needs.
- Built-in thermometer with red indication line.
- External scale thermometer (Fig. 1) with internal probe for fluid temperature.
- SICK electric control level sensor (Fig.2, from HCK.127) which can be fitted along the axis of the indicator according to the actual needs. With right (DX) or left (SX) connectors, normally closed (NC), normally open (NO).
- Special screw with nickel-plated brass top (Fig. 3) to be fitted to the lower assembly end for any maintenance operation requiring the indicator exclusion.

* Registered trademark by DuPont Dow Elastomers.



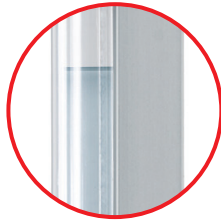
Standard Elements				Main dimensions									Mounting holes		C #	⚖
Code	Description	Code	Description	f	d	A	B	C	L	l1	l2	r	d ±0.2	f ±0.2	[Nm]	g
111004	HCK.76-GL-M10	111005	HCK.76-GL-SST-M10	76	M10	20	33	33	113	35.5	42	18.5	10.5	76	12	183
111014	HCK.127-GL-M12	111015	HCK.127-GL-SST-M12	127	M12	20	33	33	164	46.5	71	18.5	12.5	127	12	220
111024	HCK.176-GL-M12	111025	HCK.176-GL-SST-M12	176	M12	20	33	33	213	46.5	120	18.5	12.5	176	12	250
111034	HCK.254-GL-M12	111035	HCK.254-GL-SST-M12	254	M12	20	33	33	291	46.5	198	18.5	12.5	254	12	298
111044	HCK.381-GL-M12	111045	HCK.381-GL-SST-M12	381	M12	20	33	33	418	46.5	325	18.5	12.5	381	12	377
111054	HCK.508-GL-M12	111055	HCK.508-GL-SST-M12	508	M12	20	33	33	545	46.5	452	18.5	12.5	508	12	455

Maximum tightening torque.

High performing column level indicators



Set screw and oil circulation.

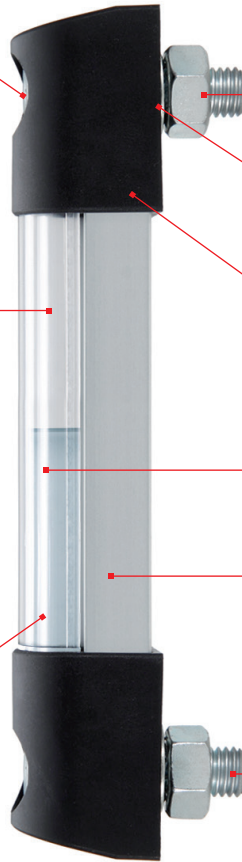


Tube in Pyrex (ESG safety glass) resistant to glycol-based solutions.

Maximum continuous working temperature 130 °C with peaks at 160 °C and pressure of 5/6 bar.



Contrast screen with level indications.



Zinc-plated or stainless steel screws and nuts.

FKM type VITON®* synthetic rubber or NBR rubber O-Ring.
* Registered trademark by DuPont Dow Elastomers.

Technopolymer assembly ends.

Polycarbonate protection (against accidental shocks).

Aluminium support with side visibility.

Hole centre distance for fixing up to 1500 mm.



Example of application with SLCK kit for the electric control of a fluid level.



ELESA S.p.A.
Via Pompei 29
20900 Monza (MB) ITALY
Phone: +39 039 28 11.1
Fax: +39 039 83 63 51
www.elesa.com
info@elesa.com

OTTO GANTER GmbH & Co.KG
Triberger Straße 3
78120 Furtwangen GERMANY
Phone: +49 7723 65 07 130
Fax: +49 7723 65 07 165
www.ganter-griff.com
info@ganter-griff.de



www.elesa-ganter.com

Printed in Italy
ZDEPEGHCKENG15R1