

Electromagnetic Dosing Pumps



SEKO S.p.A. reserve to itself the right to modify this price list without notice

INDEX

MAXIMA Series	page 3
Codyfing System	page 5
Resume Table / Extraprice	page 7
Analog models	page 8
Digital models	page 9
MAXIMA PLUS Series	page 10
Maintenance Kit	page 11
Spare Parts	page 12
TEKBA Series	page 16
Codyfing System	page 18
Resume Table / Extraprice	page 20
Digital models	page 21
Maintenance Kit	page 22
Spare Parts	page 23
TEKNA Series	page 26
Codyfing System	page 28
Resume Table / Extraprice	page 30
Analog models	page 31
Digital models	page 33
12 Vdc Power Supply	page 35
Special Versions	page 36
Maintenance Kit	page 38
Spare Parts	page 39
TEKNA ATEX Series	page 43
Codyfing System	page 45
Resume Table	page 47
Digital models	page 48
Spare Parts	page 49
KOMPACT Series	page 52
Codyfing System	page 54
Maintenance Kit	page 55
Resume Table / Extraprice	page 56
Spare Parts	page 57
INVIKTA Series	page 58
Codyfing System	page 60
Resume Table / Extraprice	page 61
Spare Parts	page 62
ACCESSORIES	page 63
Mixers	page 65
Water meters	page 70
Tanks	page 74
Suction Devices	page 75
Valves	page 77
Pump head	page 78
Other accessories	page 79

MAXIMA Series

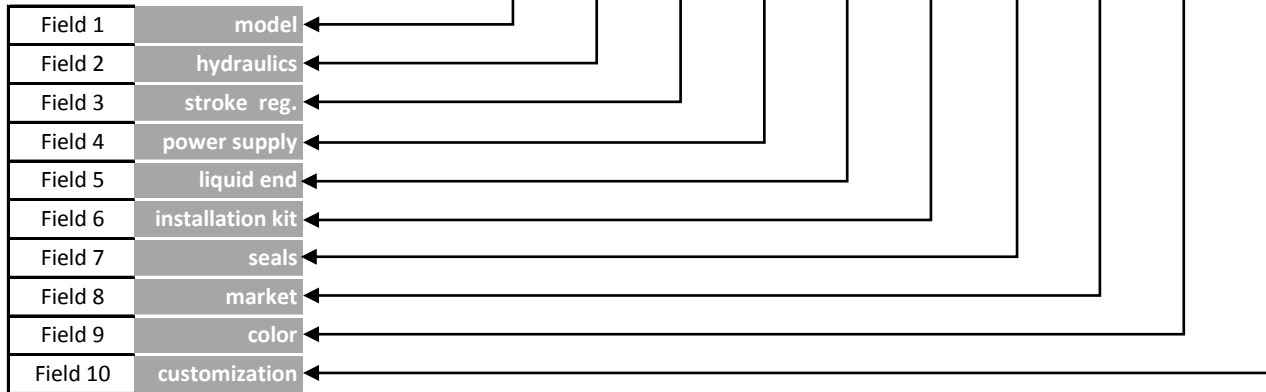


INDEX

MAXIMA Series	page 3
Codifying System	page 5
Resume Table	page 7
Extraprices	page 7
ANALOG Models	page 8
DIGITAL Models	page 9
MAXIMA PLUS Series	page 10
Maintenance Kit	page 11
Spare Parts	page 12

MAXIMA Series - CODIFYING SYSTEM

Field 1	Field 2	Field 3	Field 4	Field 5	Field 6	Field 7	Field 8	Field 9	Field 10
MKL	603	N	N	H	P	0	0	B	0



Field 1	model	Analog		Digital	
		stroke reg.		stroke reg.	
		MKL		MPR	
		MAG	MGR	MPG	MRP

Field 2	hydraulics	bar	l/h	stroke/1'	ml/stroke	tubing Ø	consumption
500		20	0,4	120	0,06	in - 4/6 out - 4/7	
		16	0,8		0,11		
		10	1,2		0,17		
		6	1,5		0,21		
600		20	2,5	120	0,35	in - 4/6 out - 4/7	
		18	3		0,42		
		14	4,2		0,58		
		8	7		0,97		
603		12	4	160	0,42	in - 4/6 out - 4/6	
		10	5		0,52		
		8	6		0,63		
		2	8		0,83		
800		16	7	300	0,39	in - 4/6 out - 4/6	
		10	10		0,56		
		5	15		0,83		
		1	18		1,00		
803		5	20	300	1,11	in - 8/12 out - 8/12	
		4	32		1,78		
		2	62		3,44		
		0	110		6,11		

MAXIMA Series - CODIFYING SYSTEM

Field 3 **stroke reg.** _____
N WITHOUT regulation
E ELECTRONIC regulation

Field 4 **power supply** _____
N 100÷240 Vac 50/60 Hz
O 24-48 Vac / Vdc *ONLY for MKL603 and MAG603*

Field 5	liquid end	Body	Connections	Balls	Diaphragm
	H	PVDF	PVDF	Ceramic	PTFE
	A	PVDF	PVDF	Ceramic	PTFE
	I	SS 316L		SS 316L	PTFE

A Pump head with automatic degassing valve, for **600**, **603** and **800** series.

Field 6 **installation kit** _____
H PVDF
P PVDF-T

Field 7 **seals** _____
0 FPM
1 EPDM
2 PTFE

Field 8 **market** _____
0 standard

Field 9 **color** _____
B Blue / Grey - standard

Field 10 **customization** _____
0 standard

MAXIMA Series - RESUME TABLE

Common characteristics

- Analog and digital dosing pump with constant or proportional flow rate, manually adjustable 0-100%, level control input.
- Power supply standard: multivoltage 100÷ 240 Vac 50-60 Hz.
- Complete installation kit composed by: foot filter, injection valve, screws.
- PVC suction tube, PE delivery tube.
- PTFE diaphragm. Standard pump head in PVDF.
- Manually priming valve.
- Case made in PP reinforced with fiber glass. IP65 rated.
- **Special Version with *ELECTRONIC STROKE LENGHT REGULATION* :**
 - MAXIMA PLUS Series** - MGR800
 - MRP800

MAXIMA Series - ANALOG MODELS

MKL series

- Analog interface and constant dosage
- Constant flow rate manually adjustable, 2 frequency range (/5), Power-ON led indicator and level control input.



Hydraulics	kit PVDF
500	
600	
603	
800	
803	

MAG series

- Analog interface and constant dosage manually adjustable, proportional flow rate according to an external signal (4÷20 mA), or digital signal (water meter).
- Regulation knob (percentage and "n" value in multiplication mode); 6 position adjustable switch: 3 in division mode (1, 4, 10=n), 1 in multiplication mode (n=1÷10), 1 for proportional 4÷20 mA signal, 1 for constant functionality; Pacing function adjustable by dip-switch.



Hydraulics	kit PVDF
500	
600	
603	
800	
803	

MAXIMA Series - DIGITAL MODELS

MPG series

- Constant flow rate manually adjustable, proportional flow rate according to an external analog (0/4-20 mA or 20-4/0 mA) or digital signal (water meter, 1:n or n:1); Timer function; Dosage in ppm; Dosage batch; Statistics; Password; Input ON-OFF (remote switch)
- Fast extractable electric connections protected by a lid.



Hydraulics	kit PVDF
500	
600	
603	
800	
803	

MPR series

- Digital dosing pump with pH/Redox control meter on board. PT100 probe input (thermal compensation); repetition alarm relay ; Input On-Off (remote control); 4-20 mA output for measure replay.
- Fast extractable electric connections protected by a lid.



Hydraulics	kit PVDF
500	
600	
603	
800	
803	

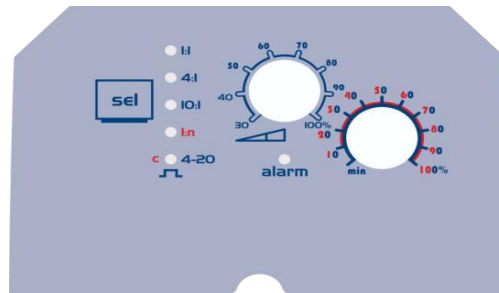
MAXIMA PLUS Series - with ELECTRONIC STROKE LENGTH REGULATION

Field 2	hydraulic	bar	l/h	stroke/1'	ml/stroke	tubing Ø	consumption
800		14	8	270	0,49	in - 4/6 out - 4/6	25 W
		10	10		0,62		
		6	12		0,74		
		2	25		1,54		

MGR series

Hydraulics	kit PVDF
800	

- Analog interface and constant dosage manually adjustable, proportional flow rate according to an external signal (4÷20 mA), or digital signal (water meter).
- Regulation knob (percentage and "n" value in multiplication mode); 6 position adjustable switch: 3 in division mode (1, 4, 10=n), 1 in multiplication mode (n=1÷10), 1 for proportional 4÷20 mA signal, 1 for constant functionality; Pacing function adjustable by dip-switch.

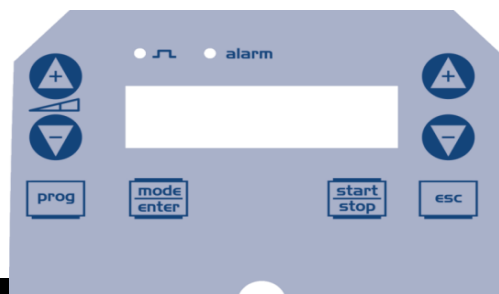


NEW: ELECTRONIC stroke length regulation with ANALOG interface

MRP series

Hydraulics	kit PVDF
800	

- Constant flow rate manually adjustable, proportional flow rate according to an external analog (0/4-20 mA or 20-4/0 mA) or digital signal (water meter, 1:n or n:1); Timer function; Dosage in ppm; Dosage batch; Statistics; Password; Input ON-OFF (remote switch)
- Fast extractable electric connections protected by a lid.



NEW: ELECTRONIC stroke length regulation with DIGITAL interface

MAXIMA Series - MAINTENANCE KIT

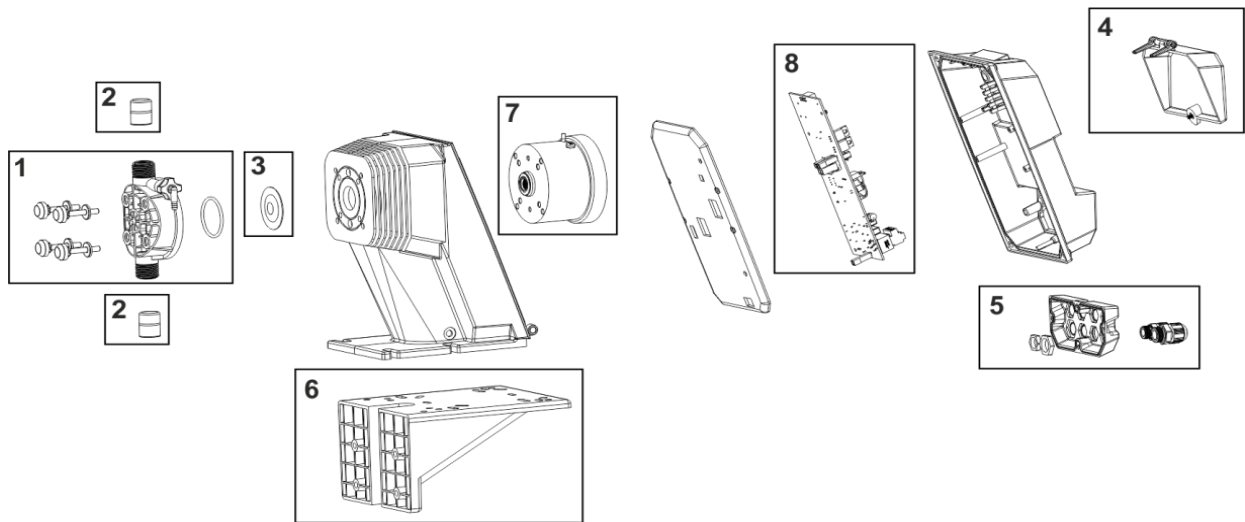
MAINTENANCE KIT is composed by:

- **Complete pump head** Pump head
 O-Ring
 Screws
 Protection cups of the screws

- **Diaphragm**
- **Installation kit** Foot filter
 Injection valve
 2mt PE tube (delivery)
 4mt PVC tube (suction and discharge)

material	seals	500	600	603	800	803	Code
PVDF-T	FPM	•					EM99106890
			•				EM99106891
				•	•		EM99106892
						•	EM99106893
	EPDM	•					EM99106894
			•				EM99106895
				•	•		EM99106896
						•	EM99106897
PVDF	FPM	•					EM99106882
			•				EM99106883
				•	•		EM99106884
						•	EM99106885
	EPDM	•					EM99106886
			•				EM99106887
				•	•		EM99106888
						•	EM99106889

MAXIMA Series - SPARE PARTS



Ref.	Description	500	600	603	800	803	Code
1	Complete Pump Head: made of PVDF, Ceramic balls, FPM seals and Valves	●	●				EM99106494
				●	●		EM99106490
						●	EM99106491
	Complete Pump Head: made of PVDF, Ceramic balls, EPDM seals and Valves	●	●				EM99106495
				●	●		EM99106192
						●	EM99106493

COMPLETE PUMP HEAD is composed by:
Pump Head with valve, pipe holder, pipe clamp and ring nut + screws and washers + security diaphragm o-ring

2	Valve assembly: PVDF / Ceramic / FPM	●	●	●	●		EM99070105	
						●	EM99070106	
	Valve assembly: PVDF / Ceramic / EPDM	●	●	●	●		EM99070131	
						●	EM99070132	
3	Diaphragm	●					EM00050016	
			●	●	●		EM00050017	
						●	EM00050018	
4	Front Panel Lid		●	●	●	●	●	
5	Wiring Terminal	all models except MPR	●	●	●	●	●	
		MPR	●	●	●	●	●	
6	KIT mounting bracket		●	●	●	●	●	EM99106744
7	Complete Solenoid	●						EM99054020
				●				EM99054017
			●		●			EM99054015
						●		EM99054013

MAXIMA Series - SPARE PARTS

Ref.	Description		500	600	603	800	803	Code	
8	ANALOGIC CIRCUIT 100÷240 Vac	MKL	•					EM99106850	
				•				EM99106851	
					•				EM99106852
						•			EM99106853
								•	EM99106854
8		MAG		•				EM99106855	
					•				EM99106856
						•			EM99106857
							•		EM99106858
8	DIGITAL CIRCUIT 100÷240 Vac	MPG	•					EM99106845	
				•				EM99106847	
					•				EM99106848
						•			EM99106849
								•	EM99106844
8		MPR	•						
				•				EM99106859	
					•				EM99106860
						•			EM99106861
								•	EM99106862
8	MAXIMA PLUS	MGR				•			
		MRP				•			

MAXIMA Series - SPARE PARTS

Ref.	Description	500	600	603	800	803	Code
FITTING KIT PVDF	- Pipe holder <i>10 pcs</i>	•	•				EM99106499
	- Pipe clamp <i>10 pcs</i>			•	•		EM99106500
	- Ring nut <i>10 pcs</i>					•	EM99106501

Ref.	Description	500	600	603	800	803	Code
INSTALLATION KIT	Body <i>PVDF-T</i>	•	•				EM99106502
	Seals <i>FPM</i>			•	•		EM99106503
	Balls <i>CERAMIC</i>					•	EM99106504
	Body <i>PVDF-T</i>	•	•				EM99106505
	Seals <i>EPDM</i>			•	•		EM99106506
	Balls <i>CERAMIC</i>					•	EM99106507
	Body <i>PVDF</i>	•	•				EM99106508
	Seals <i>FPM</i>			•	•		EM99106509
	Balls <i>CERAMIC</i>					•	EM99106510
	Body <i>PVDF</i>	•	•				EM99106511
	Seals <i>EPDM</i>			•	•		EM99106512
	Balls <i>CERAMIC</i>					•	EM99106513

- Installation Kit composition:**
- Foot valve assembly
 - Injection valve assembly
 - 2m tube PE (delivery)
 - 4m tube PVC (suction and bleed)
 - Screws

Ref.	Description	500	600	603	800	803	Code
TUBE	Suction - PVC (100 mt)	•	•				0000090001
						•	0000090003
	Delivery - PE (100 mt)	•	•				0000090070
				•	•		0000090002
						•	0000090004
	PVDF (100 mt)	•	•	•	•		0000090144
					•	0000090143 *	

*** tube size \varnothing 8x10 - to sell in coupling with tube adapter:**

2x		PVDF					EM99106280
-----------	--	------	--	--	--	--	------------

MAXIMA Series - SPARE PARTS

Ref.	Description	500	600	603	800	803	Code		
Foot Filter KIT (3 pcs)	PVDF-T	FPM	•	•	•	•		9900107132	
							•	9900107133	
		EPDM	•	•	•	•			9900107134
							•		9900107135
	PVDF	FPM	•	•	•	•		9900107122	
							•		9900107123
		EPDM	•	•	•	•			9900107126
							•		9900107127

Ref.	Description	500	600	603	800	803	Code		
Injection Valve KIT (5 pcs)	PVDF-T	FPM	•	•				9900107157	
					•	•		9900107158	
							•		9900107137
		EPDM	•	•					9900107159
					•	•			9900107160
							•		9900107161
	PVDF	FPM	•	•				9900107162	
					•	•			9900107163
							•		9900107115
		EPDM	•	•					9900107164
					•	•			9900107165
							•		9900107166

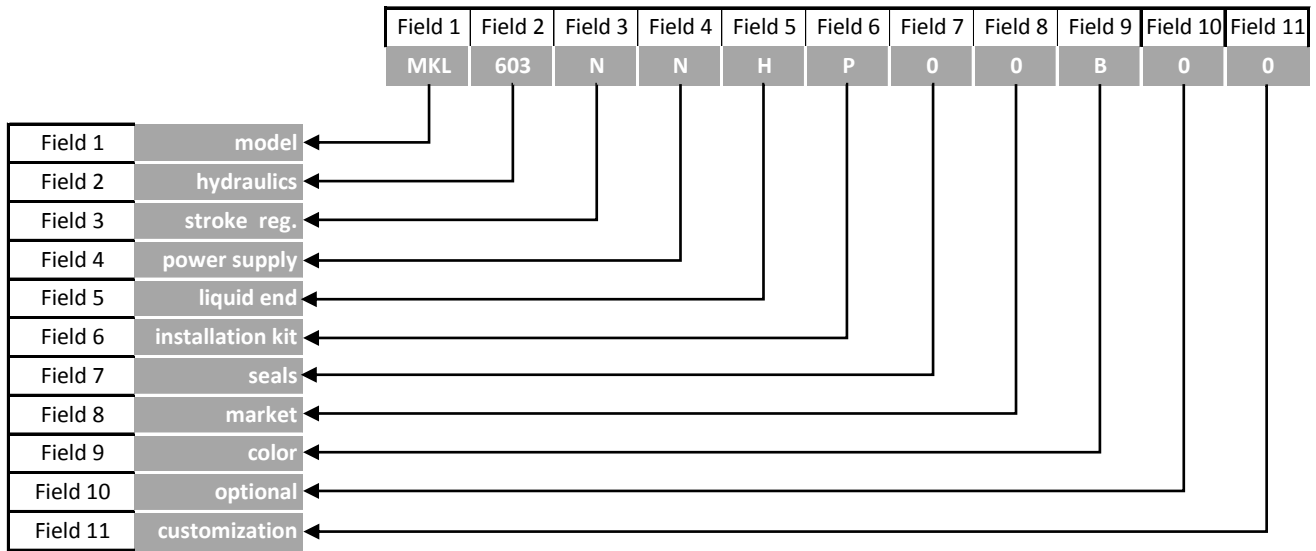
TEKBA Series



INDEX

TEKBA Series	page 16
Codifying System	page 18
Resume Table	page 20
Extraprices	page 20
DIGITAL Models	page 21
Maintenance Kit	page 22
Spare Parts	page 23

TEKBA Series - CODIFYING SYSTEM



Field 1	model	Digital
	EML	Adjustable constant dosing. Input level control
	EMM	Adjustable constant dosing, and proportional to an external analogic signal (4÷20 mA) Input level control
	EMC	Adjustable constant dosing, and proportional to an external digital signal (water meter) Input level control

Field 2	hydraulics	bar	l/h	stroke/1'	ml/stroke	tubing Ø	consumption
	600	20	2,5	120	0,35	in 4/6 - out 4/7	
	603	12	4	160	0,42	in-out 4/6	
	800	16	7	300	0,39	in-out 4/6	
	803	5	20	300	1,11	in-out 8/12	

Field 3	stroke reg.	M <i>standard</i> MECHANICAL
---------	-------------	---

Field 4	power supply	N 100÷240 Vac 50/60 Hz O 24-48 Vac / Vdc ONLY for MKL603 and MAG603
---------	--------------	--

Field 5	liquid end	Body	Connections	Balls	Diaphragm
	H	PVDF	PVDF	Ceramic	PTFE
	A	PVDF	PVDF	Ceramic	PTFE
	I	SS 316L		SS 316L	PTFE

A Pump head with automatic degassing valve, for **600**, **603** and **800** series.

TEKBA Series - CODIFYING SYSTEM

Field 6	installation kit	
	H PVDF	
	P PVDF-T	

Field 7	seals	
	0 FPM	
	1 EPDM	
	2 PTFE	

Field 8	market	
	0 standard	

Field 9	color		electronic	hydraulic
	B <i>standard</i>		RAL5010	RAL7004

Field 10	optional	
	0 <i>standard</i>	

Field 11	customization	
	0 <i>standard</i>	

TEKBA Series - RESUME TABLE

Common characteristics

- Analog and digital dosing pump with constant or proportional flow rate, manually adjustable 0-100%, level control input.
- **EMM**: dosing proportional to an external analogic signal (4÷20 mA)
- **EMC**: dosing proportional to an external digital signal (water meter)
- Power supply standard: multivoltage 100÷ 240 Vac 50-60 Hz.
- Complete installation kit composed by: foot filter, injection valve, screws.
- PVC suction tube, PE delivery tube.
- PTFE diaphragm. Standard pump head in PVDF.
- Manually priming valve.
- Case made in PP reinforced with fiber glass. IP65 rated.

TEKba Series - DIGITAL MODELS

EML Series

- Costant dosing manually adjustable. Input level sensor
- Electrical Connections Easily removable



Hydraulics	kit PVDF
600	
603	
800	
803	

EMM Series

- Costant dosing manually adjustable, and proportional to an analogic signal (4÷20 mA). Input level sensor
- Electrical Connections Easily removable



Hydraulics	kit PVDF
600	
603	
800	
803	

EMC Series

- Costant dosing manually adjustable, and proportional to a digital signal (water meter). Input level sensor
- Connessioni elettriche facilmente rimovibili



Hydraulics	kit PVDF
600	
603	
800	
803	

TEKBA Series - MAINTENANCE KIT

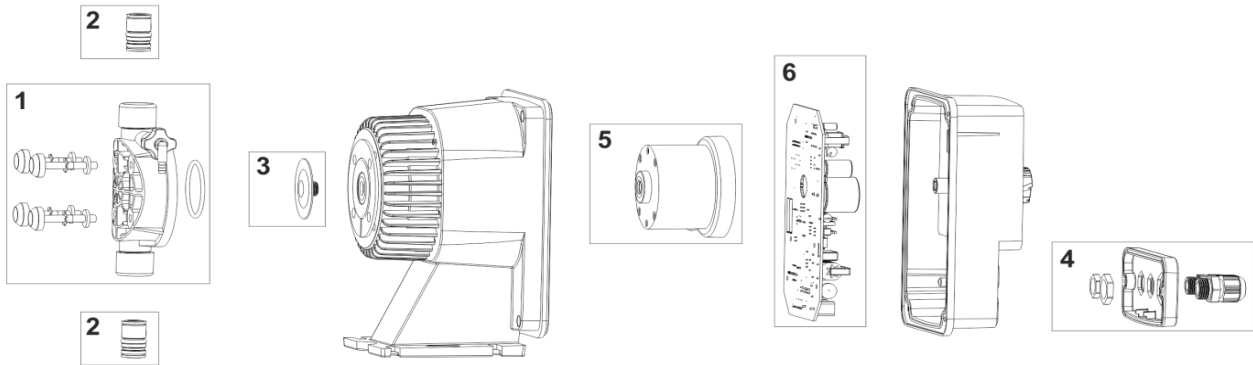
MAINTENANCE KIT is composed by:

- **Complete pump head** Pump head
 O-Ring
 Screws
 Protection cups of the screws

- **Diaphragm**
- **Installation kit** Foot filter
 Injection valve
 2mt PE tube (delivery)
 4mt PVC tube (suction and discharge)

material	seals	600	603	800	803	Code
PVDF	FPM	•				EM99106882
			•			EM99106883
				•		EM99106884
					•	EM99106885
	EPDM	•				EM99106886
			•			EM99106887
				•		EM99106888
					•	EM99106889

TEKBA Series - SPARE PARTS



Ref.	Description	600	603	800	803	Code
1	Complete Pump Head: made of PVDF, Ceramic balls, FPM seals and Valves	•				EM99106494
			•	•		EM99106490
					•	EM99106491
	Complete Pump Head: made of PVDF, Ceramic balls, EPDM seals and Valves	•				EM99106495
			•	•		EM99106192
					•	EM99106493

COMPLETE PUMP HEAD is composed by:
Pump Head with valve, pipe holder, pipe clamp and ring nut + screws and washers + security diaphragm o-ring

2	Valve assembly: PVDF / Ceramic / FPM	•	•	•		EM99070105	
					•	EM99070106	
	Valve assembly: PVDF / Ceramic / EPDM	•	•	•		EM99070131	
					•	EM99070132	
3	Diaphragm	•	•	•		EM00050017	
					•	EM00050018	
4	Wiring Twterminal	EML	•	•	•	•	
		EMM - EMC	•	•	•	•	
5	Complete Solenoid		•			EM99054017	
		•		•		EM99054015	
					•	EM99054013	

TEKBA Series - SPARE PARTS

Ref.	Description	600	603	800	803	Code
6	EML	•				
			•			
				•		
					•	
6	EMM	•				
			•			
				•		
					•	
6	EMC	•				
			•			
				•		
					•	

Ref.	Description	600	603	800	803	Code
KIT conn.	- Pipe holder <i>10 pcs</i>	•				EM99106499
	- Pipe clamp <i>10 pcs</i>		•	•		EM99106500
	- Ring nut <i>10 pcs</i>				•	EM99106501

Ref.	Description	600	603	800	803	Code
INSTALLATION KIT	Body <i>PVDF</i>	•				EM99106508
	Seals <i>FPM</i>		•	•		EM99106509
	Balls <i>CERAMIC</i>				•	EM99106510
	Body <i>PVDF</i>	•				EM99106511
	Seals <i>EPDM</i>		•	•		EM99106512
	Balls <i>CERAMIC</i>				•	EM99106513

- Installation Kit composition:**
- *Foot valve assembly*
 - *Injection valve assembly*
 - *2m tube PE (delivery)*
 - *4m tube PVC (suction and bleed)*
 - *Screws*

TEKBA Series - SPARE PARTS

Ref.	Description	600	603	800	803	Code
TUBE	Suction - PVC (100 mt)	•				000090001
					•	000090003
	Delivery - PE (100 mt)	•				000090070
			•	•		000090002
					•	000090004
	PVDF (100 mt)	•	•	•		000090144
				•	000090143 *	

** tube size ϕ 8x10 - to sell in coupling with tube adapter:*

2x		PVDF				EM99106280
----	---	------	--	--	--	------------

Ref.	Description	600	603	800	803	Code	
Foot Filter KIT (3 pcs)	PVDF	FPM	•	•	•		9900107122
						•	9900107123
		EPDM	•	•	•		9900107126
						•	9900107127

Ref.	Description	600	603	800	803	Code	
Injection Valve KIT (5 pcs)	PVDF	FPM	•				9900107162
				•	•		9900107163
						•	9900107115
		EPDM	•				9900107164
				•	•		9900107165
						•	9900107166

TEKNA Series

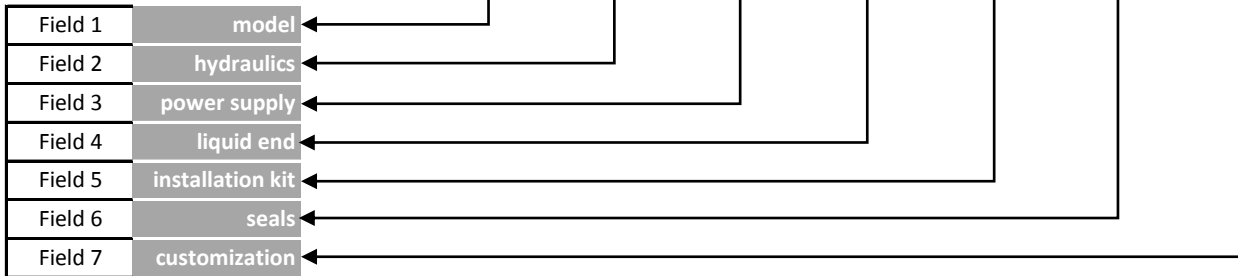


INDEX

TEKNA Serie s	page 26
Codifying System	page 28
Resume Table	page 30
Extraprices	page 30
ANALOG Models	page 31
DIGITAL Models	page 33
Power Supply 12 VDC	page 35
SPECIAL Versions	page 36
Maintenance Kit	page 38
Spare Parts	page 39

TEKNA Series - CODIFYING SYSTEM

Field 1	Field 2	Field 3	Field 4	Field 5	Field 6	Field 7
AKL	600	N	H	P	0	000



Field 1	model	Analog	Digital
	AKE		
	AKS		
	AKL		
	APG		TPG
	ATL		
			TPR
			TMP
			TCK

Field 2	hydraulics	bar	l/h	stroke/1'	ml/stroke	tubing Ø	consumption
500		20	0,4	120	0,06	in - 4/6 out - 4/7	
		16	0,8		0,11		
		10	1,2		0,17		
		6	1,5		0,21		
600		20	2,5	120	0,35	in - 4/6 out - 4/7	
		18	3		0,42		
		14	4,2		0,58		
		8	7		0,97		
603		12	4	160	0,42	in - 4/6 out - 4/6	
		10	5		0,52		
		8	6		0,63		
		2	8		0,83		
800		16	7	300	0,39	in - 4/6 out - 4/6	
		10	10		0,56		
		5	15		0,83		
		1	18		1,00		
803		5	20	300	1,11	in - 8/12 out - 8/12	
		4	32		1,78		
		2	62		3,44		
		0	110		6,11		

TEKNA Series - CODIFYING SYSTEM

Field 3	power supply	
	N	100÷240 Vac 50/60 Hz
	O	24-48 Vac <i>ONLY for AKL603 and APG603</i>
	L	12 Vdc <i>ONLY for AKS812 and TPT812 (see page 17)</i>

Field 4	liquid end	Body	Connections	Balls	Diaphragm
	H	PVDF	PVDF	Ceramic	PTFE
	A	PVDF	PVDF	Ceramic	PTFE
	C	PVDF	PVDF	Ceramic	PTFE
	I	SS 316L		SS 316L	PTFE

A Pump head with automatic degassing valve, for **600**, **603** and **800** series.

C Pump head for **CAR WASH** application, with special seals, for **603** and **800** series.

Field 5	installation kit	
	H	PVDF
	P	PVDF-T

Field 6	seals	
	0	FPM
	1	EPDM
	2	PTFE

Field 7	customization	
	000	standard

TEKNA Series - RESUME TABLE

Common characteristics

- Analog and digital dosing pump with constant or proportional flow rate, manually adjustable 0-100%, level control input (except that **AKS** model).
- Power supply standard: multivoltage 100÷ 240 Vac 50-60 Hz.
- Complete installation kit composed by: foot filter, injection valve, screws and fixing bracket.
- PVC suction tube, PE delivery tube.
- PTFE diaphragm. Standard pump head in PVDF.
- Manually priming valve.
- Case made in PP reinforced with fiber glass. IP65 rated.
- **Special Version:**

AKE200	5 l/h @ 8 bar
AKL101	1÷6 l/d
AKS604	10 l/h @ 5 bar
ATL400	STD version
ATL400	AIR COND version
TPG300	0,5 l/h @ 5 bar

TEKNA Series - ANALOG MODELS

AKS series

- Analog interface and constant dosage
- Flow rate manually adjustable by knob on the front panel, Power-ON led indicator.



Hydraulics	kit PVDF-T	kit PVDF
500		
600		
603		
800		
803		

AKL series

- Analog interface and constant dosage
- Constant flow rate manually adjustable, 2 frequency range (/5), Power-ON led indicator and level control input.



Hydraulics	kit PVDF-T	kit PVDF
500		
600		
603		
800		
803		

TEKNA Series - ANALOG MODELS

APG series

- Analog interface and constant dosage manually adjustable, proportional flow rate according to an external signal (4÷20 mA), or digital signal (water meter).
- Regulation knob (percentage and "n" value in multiplication mode); 6 position adjustable switch: 3 in division mode (1, 4, 10=n), 1 in multiplication mode (n=1÷10), 1 for proportional 4÷20 mA signal, 1 for constant functionality; Pacing function adjustable by dip-switch.



Hydraulics	kit PVDF-T	kit PVDF
500		
600		
603		
800		
803		

ATL series

- Analog interface and constant dosage manually adjustable and timed with Ton - Toff double regulation.
3 regulation knobs (flow rate-percentage, Ton regulation and Toff regulation).



Hydraulics	kit PVDF-T	kit PVDF
500		
600		
603		
800		
803		

TEKNA Series - DIGITAL MODELS

TPG series

- Constant flow rate manually adjustable, proportional flow rate according to an external analog (0/4-20 mA or 20-4/0 mA) or digital signal (water meter, 1:n or n:1); Timer function; Dosage in ppm; Dosage batch; Statistics; Password; Input ON-OFF (remote switch)
- Fast extractable electric connections protected by a lid.



Hydraulics	kit PVDF-T	kit PVDF
500		
600		
603		
800		
803		

TPR series

- Digital dosing pump with pH/Redox control meter on board. PT100 probe input (thermal compensation); repetition alarm relay ; Input On-Off (remote control); 4-20 mA output for measure replay.
- Fast extractable electric connections protected by a lid.



Hydraulics	kit PVDF-T	kit PVDF
500		
600		
603		
800		
803		

TEKNA Series - DIGITAL MODELS

TMP series

- Digital dosing pump with Chlorine, Hydrogen Peroxide or Per-Acetic Acid controller Instrument on board set via Software. PT100 probe input for thermal compensation. Repetition alarm relay. Input On-Off for remote control. There is a 4-20 mA output for measure replay.
- Fast extractable electric connections protected by a lid.



Hydraulics	kit PVDF-T	kit PVDF
500		
600		
603		
800		
803		

TCK series

- Digital dosing pump with constant flow rate or timed with a weekly timer to program at maximum ten feed times. Programmable timed relay by activation of a dry contact
- Fast extractable electric connections protected by a lid.



Hydraulics	kit PVDF-T	kit PVDF
500		
600		
603		
800		
803		

TEKNA Series - MAINTENANCE KIT

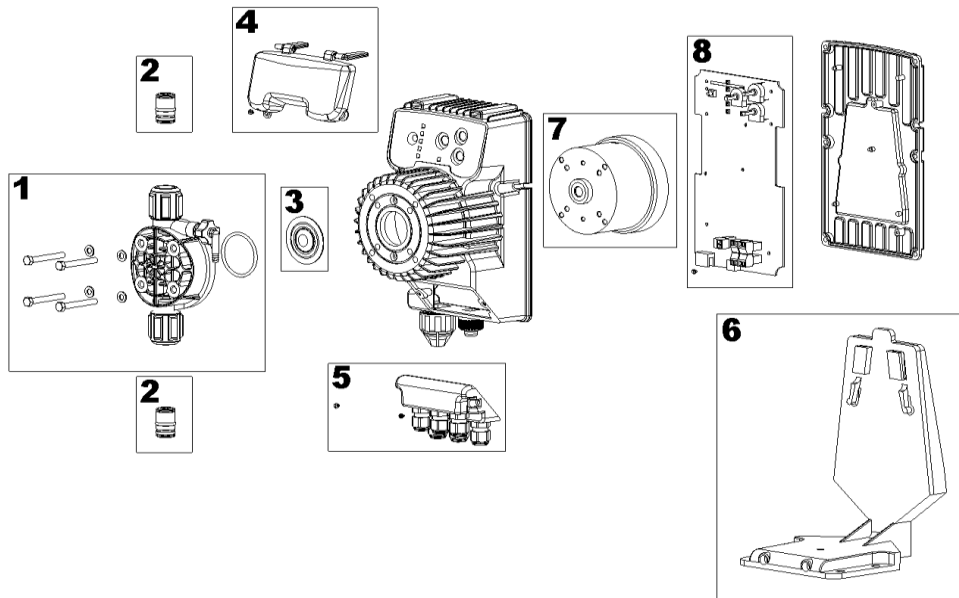
MAINTENANCE KIT is composed by:

- **Complete pump head** Pump head
 O-Ring
 Screws
 Protection cups of the screws

- **Diaphragm**
- **Installation kit** Foot filter
 Injection valve
 2mt PE tube (delivery)
 4mt PVC tube (suction and discharge)

material	seals	500	600	603	800	803	Code	
PVDF-T	FPM	•					EM99106890	
			•				EM99106891	
				•	•		EM99106892	
						•	EM99106893	
	EPDM	•						EM99106894
			•					EM99106895
				•	•			EM99106896
						•		EM99106897
PVDF	FPM	•					EM99106882	
			•				EM99106883	
				•	•		EM99106884	
						•	EM99106885	
	EPDM	•						EM99106886
			•					EM99106887
				•	•			EM99106888
						•		EM99106889

TEKNA Series - SPARE PARTS



Ref.	Description	500	600	603	800	803	Code
1	Complete Pump Head: made of PVDF, Ceramic balls, FPM seals and Valves	•	•				EM99106494
				•	•		EM99106490
						•	EM99106491
	Complete Pump Head: made of PVDF, Ceramic balls, EPDM seals and Valves	•	•				EM99106495
				•	•		EM99106492
						•	EM99106493

COMPLETE PUMP HEAD is composed by:
Pump Head with valve, pipe holder, pipe clamp and ring nut + screws and washers + security diaphragm o-ring

2	Valve assembly: PVDF / Ceramic / FPM	•	•	•	•		EM99070105	
						•	EM99070106	
	Valve assembly: PVDF / Ceramic / EPDM	•	•	•	•		EM99070131	
						•	EM99070132	
3	Diaphragm	•					EM00050016	
			•	•	•		EM00050017	
						•	EM00050018	
4	Front Panel Lid	•	•	•	•	•	EM99106496	
5	Wiring Terminal	APG-TPG-TCK-ATL	•	•	•	•	•	EM99106497
		TPR	•	•	•	•	•	EM99106498
6	KIT mounting bracket	•	•	•	•	•	EM99106353	
7	Complete Solenoid	•					EM99054020	
				•			EM99054017	
			•		•		EM99054015	
						•	EM99054013	

TEKNA Series - SPARE PARTS

Ref.	Description	500	600	603	800	803	Code
8	AKL - AKS	•					EM99106626
			•				EM99106433
				•			EM99106434
					•		EM99106435
						•	EM99106436
8	ANALOGIC CIRCUIT 100÷240 Vac		•				EM99106429
				•			EM99106430
					•		EM99106431
						•	EM99106432
8	ATL		•				EM99106437
				•			EM99106438
					•		EM99106439
						•	EM99106440
8	TPG	•					EM99106627
			•				EM99106531
				•			EM99106532
					•		EM99106533
						•	EM99106534
8	TPR	•					EM99106535
			•				EM99106536
				•			EM99106537
					•		EM99106538
8	TMP		•				EM99106708
				•			
					•		
						•	
8	TCK		•				EM99106539
				•			EM99106540
					•		EM99106541
						•	EM99106542

TEKNA Series - SPARE PARTS

Ref.	Description	500	600	603	800	803	Code
FITTING KIT PVDF	- Pipe holder <i>10 pcs</i>	•	•				EM99106499
	- Pipe clamp <i>10 pcs</i>			•	•		EM99106500
	- Ring nut <i>10 pcs</i>					•	EM99106501

Ref.	Description	500	600	603	800	803	Code
INSTALLATION KIT	Body <i>PVDF-T</i>	•	•				EM99106502
	Seals <i>FPM</i>			•	•		EM99106503
	Balls <i>CERAMIC</i>					•	EM99106504
	Body <i>PVDF-T</i>	•	•				EM99106505
	Seals <i>EPDM</i>			•	•		EM99106506
	Balls <i>CERAMIC</i>					•	EM99106507
	Body <i>PVDF</i>	•	•				EM99106508
	Seals <i>FPM</i>			•	•		EM99106509
	Balls <i>CERAMIC</i>					•	EM99106510
	Body <i>PVDF</i>	•	•				EM99106511
	Seals <i>EPDM</i>			•	•		EM99106512
	Balls <i>CERAMIC</i>					•	EM99106513

- Installation Kit composition:**
- Foot valve assembly
 - Injection valve assembly
 - 2m tube PE (delivery)
 - 4m tube PVC (suction and bleed)
 - Screws

Ref.	Description	500	600	603	800	803	Code
TUBE	Suction - PVC (100 mt)	•	•				0000090001
						•	0000090003
	Delivery - PE (100 mt)	•	•				0000090070
				•	•		0000090002
	PVDF (100 mt)	•	•	•	•		0000090144
						•	0000090143 *

*** tube size \varnothing 8x10 - to sell in coupling with tube adapter:**

2x		PVDF-T	EM99106293
		PVDF	EM99106280

TEKNA Series - SPARE PARTS

Ref.	Description		500	600	603	800	803	Code
Foot Filter KIT (3 pcs)	PVDF-T	FPM	•	•	•	•		9900107132
							•	9900107133
		EPDM	•	•	•	•		9900107134
							•	9900107135
	PVDF	FPM	•	•	•	•		9900107122
							•	9900107123
		EPDM	•	•	•	•		9900107126
							•	9900107127

Ref.	Description		500	600	603	800	803	Code	
Injection Valve KIT (5 pcs)	PVDF-T	FPM	•	•				9900107157	
					•	•		9900107158	
							•		9900107137
		EPDM	•	•					9900107159
					•	•			9900107160
							•		9900107161
	PVDF	FPM	•	•				9900107162	
					•	•		9900107163	
							•		9900107115
		EPDM	•	•					9900107164
					•	•			9900107165
							•		9900107166

TEKNA ATEX Series



INDEX

TEKNA ATEX Series

Codifying System

Resume Table

page 43

page 45

page 47

DIGITAL Models

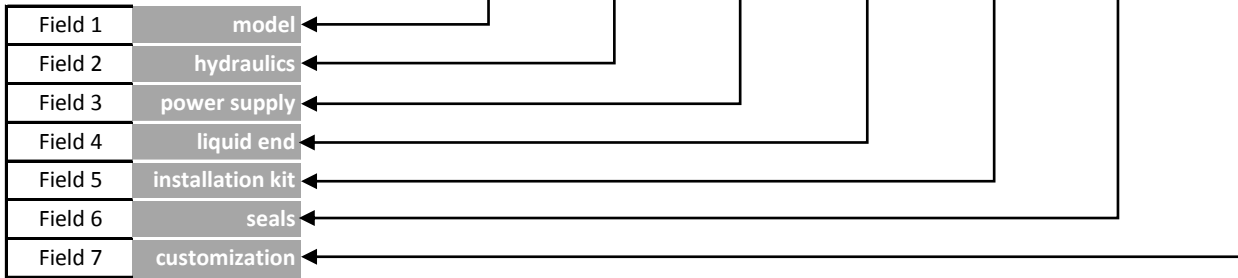
Spare Parts

page 48

page 49

TEKNA ATEX Series - CODIFYING SYSTEM

Field 1	Field 2	Field 3	Field 4	Field 5	Field 6	Field 7
TPG	600	N	I	0	0	0X0



Field 1	model	Digital
		TPG
		TCK

Field 2	hydraulics	bar	l/h	stroke/1'	ml/stroke	tubing Ø	consumption
500		20	0,4	120	0,06	in - 4/6 out - 4/7	
		16	0,8		0,11		
		10	1,2		0,17		
		6	1,5		0,21		
600		20	2,5	120	0,35	in - 4/6 out - 4/7	
		18	3		0,42		
		14	4,2		0,58		
		8	7		0,97		
603		12	4	160	0,42	in - 4/6 out - 4/6	
		10	5		0,52		
		8	6		0,63		
		2	8		0,83		
800		16	7	300	0,39	in - 4/6 out - 4/6	
		10	10		0,56		
		5	15		0,83		
		1	18		1,00		
803		5	20	300	1,11	in - 8/12 out - 8/12	
		4	32		1,78		
		2	62		3,44		
		0	110		6,11		

Field 3	power supply	N 100÷240 Vac 50/60 Hz
---------	--------------	------------------------

TEKNA ATEX Series - CODIFYING SYSTEM

Field 4	liquid end	Body	Connections	Balls	Diaphragm
	I	SS 316		SS 316	PTFE
	H	PVDF	PVDF	Ceramic	PTFE

Field 5	installation kit
	0 NO kit
	H PVDF

Field 6	seals
	0 FPM
	1 EPDM

Field 7	customization
	0XO standard ATEX - with field 4: H <i>pump head protection cover</i>

TEKNA ATEX Series - RESUME TABLE

Common characteristics

- Seko Tekna EVO TPG - ATEX Series is a solenoid dosing pump suitable for use in areas with ATEX classification:

CE  II 3GD
Ex ic nA IIB T4 Gc
Ex tc III CT120°C Dc IP65

- Digital dosing pump with constant or proportional flow rate, manually adjustable 0-100%, level control input .
- Power supply standard: multivoltage 100÷ 240 Vac 50-60 Hz.
- PTFE diaphragm. Standard pump head in SS 316. Also available in PVDF .
- Manually priming valve.
- Case made in Aluminium.

TEKNA ATEX Series - DIGITAL MODELS

TPG series

- Constant flow rate manually adjustable, proportional flow rate according to an external analog (0/4-20 mA or 20-4/0 mA) or digital signal (water meter, 1:n or n:1); Timer function; Dosage in ppm; Dosage batch; Statistics; Password; Input ON-OFF (remote switch)



Hydraulics	SS 316	PVDF
500		
600		
603		
800		
803		

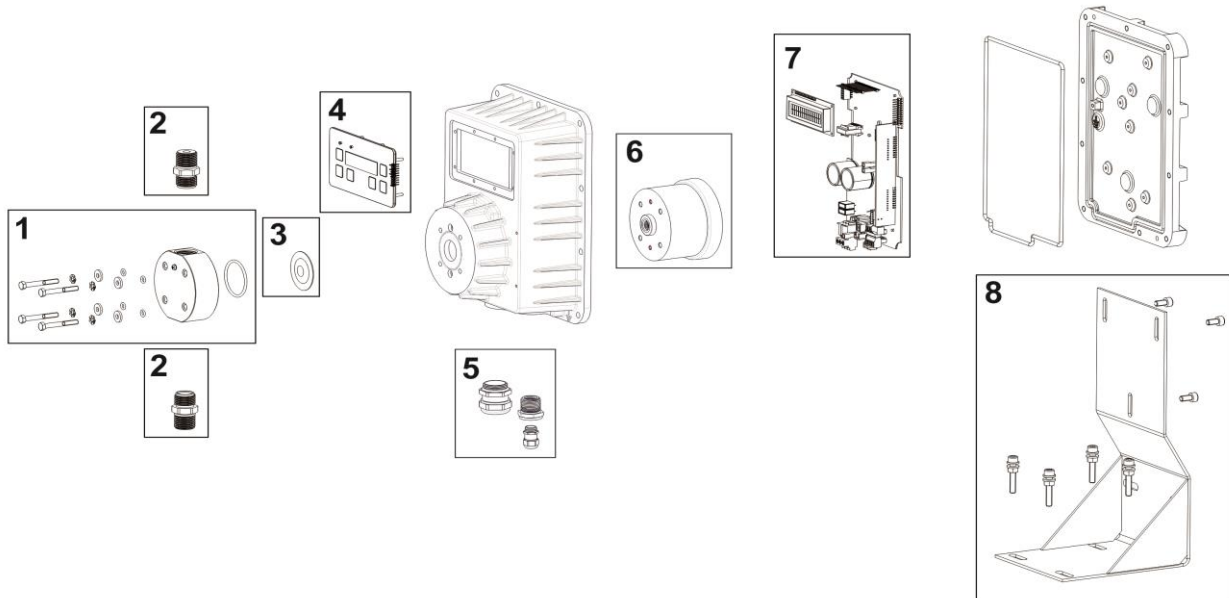
TCK series

- Digital dosing pump with constant flow rate or timed with a weekly timer to program at maximum ten feed times. Programmable timed relay by activation of a dry contact



Hydraulics	SS 316	PVDF
500		
600		
603		
800		
803		

TEKNA ATEX Series - SPARE PARTS

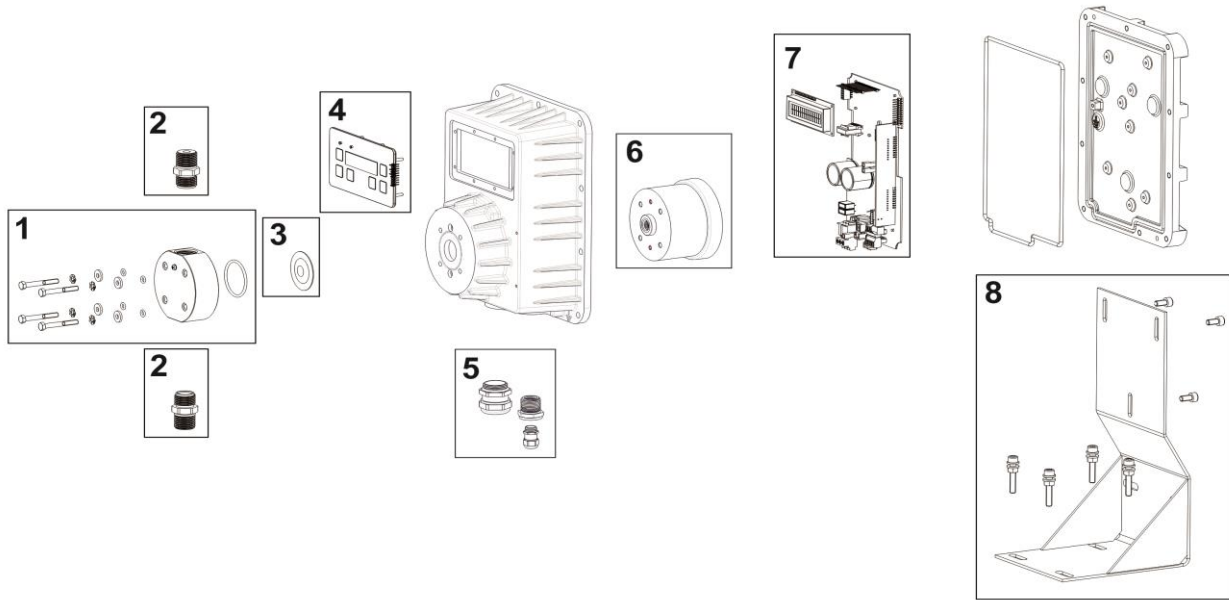


Ref.	Description	500	600	603	800	803	Code	
1	in SS316L , balls in SS316L , seal and valves in FPM	•	•	•	•			
						•		
	in SS316L , balls in SS316L , seal and valves in EPDM	•	•	•	•			
						•		
	COMPLETE PUMP HEAD in SS 316L is composed by:							
	Pump Head with valve, screws and washers + security diaphragm o-ring							
		in PVDF , balls in Ceramic , seal and valves in FPM	•	•				EM99106494
					•	•		EM99106490
							•	EM99106491
		in PVDF , balls in Ceramic , seal and valves in EPDM	•	•				EM99106495
				•	•		EM99106192	
						•	EM99106493	
COMPLETE PUMP HEAD in PVDF is composed by:								
Pump Head with valve, pipe holder, pipe clamp and ring nut + screws and washers + security diaphragm o-ring								

2	Valve assembly: SS316L / SS316L / FPM	•	•	•	•		
						•	
	Valve assembly: SS316L / SS316L / EPDM	•	•	•	•		
						•	
	Valve assembly: PVDF / Ceramic / FPM	•	•	•	•		EM99070105
						•	EM99070106
	Valve assembly: PVDF / Ceramic / EPDM	•	•	•	•		EM99070131
						•	EM99070132

3	Diaphragm	•					EM00050016
			•	•	•		EM00050017
						•	EM00050010

TEKNA ATEX Series - SPARE PARTS



Ref.	Description	500	600	603	800	803	Code		
4	Panel - Keyboard	•	•	•	•	•			
5	Wiring terminal	•	•	•	•	•			
6	Complete solenoid	•					EM99054020		
				•			EM99054017		
			•		•		EM99054015		
						•	EM99054013		
7	DIGITAL CIRCUIT 100÷240 Vac	TPG	•					EM99106627	
				•				EM99106531	
					•			EM99106532	
						•		EM99106533	
		TCK					•		EM99106534
					•				EM99106539
					•				EM99106540
						•			EM99106541
					•		EM99106542		
8	Kit mounting bracket	•	•	•	•	•	EM99106824		

TEKNA ATEX Series - SPARE PARTS - PVDF version

Ref.	Description	500	600	603	800	803	Code
FITTING KIT	- Pipe holder 10 pcs	•	•				EM99106499
	- Pipe clamp 10 pcs			•	•		EM99106500
	- Ring nut 10 pcs					•	EM99106501

Ref.	Description	500	600	603	800	803	Code
INSTALLATION KIT	Body PVDF	•	•				EM99106508
	Seals FPM			•	•		EM99106509
	Balls CERAMIC					•	EM99106510
	Body PVDF	•	•				EM99106511
	Seals EPDM			•	•		EM99106512
	Balls CERAMIC					•	EM99106513

- Installation Kit composition:**
- Foot valve assembly
 - Injection valve assembly
 - 2m tube PE (delivery)
 - 4m tube PVC (suction and bleed)
 - Screws

Ref.	Description	500	600	603	800	803	Code
TUBE	Suction - PVC (100 mt)	•	•				0000090001
						•	0000090003
	Delivery - PE (100 mt)	•	•				0000090070
				•	•		0000090002
						•	0000090004
	PVDF (100 mt)	•	•	•	•		0000090144
					•	0000090143 *	

* tube size \varnothing 8x10 - to sell in coupling with tube adapter:

2x	+ +	PVDF-T					EM99106293
		PVDF					EM99106280

Ref.	Description	500	600	603	800	803	Code	
Foot Filter KIT (3 pcs)	PVDF	FPM	•	•	•	•		9900107122
							•	9900107123
		EPDM	•	•	•	•		9900107126
							•	9900107127

Ref.	Description	500	600	603	800	803	Code		
Injection Valve KIT (5 pcs)	PVDF	FPM	•	•				9900107162	
					•	•		9900107163	
							•	9900107115	
		EPDM	•	•					9900107164
					•	•			9900107165
							•		9900107166

KOMPACT Series

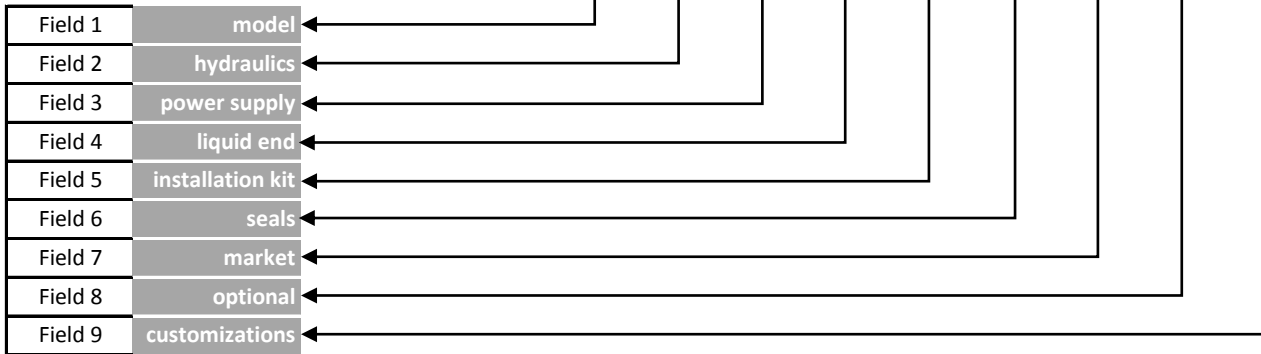


INDEX

KOMPACT Series	page 52
Codifying System	page 54
Maintenance Kit	page 55
Resume Table	page 56
Extraprices	page 56
Spare Parts	page 57

KOMPACT Series - CODIFYING SYSTEM

Field 1	Field 2	Field 3	Field 4	Field 5	Field 6	Field 7	Field 8	Field 9
AML	200	N	P	E	0	0	0	0



Field 1	model	Analog	Digital
	AMS		
	AML		
	AMM		
	AMC		
			DPT
			DRP

Field 2	hydraulics	bar	l/h	stroke/1'	ml/stroke	tubing Ø	consumption
	200	8	5	160	0,52	in - 4/6	
		10	3		0,31	out - 4/6	

Field 3	power supply
	A 230 Vac 50 Hz - <i>AMS only</i>
	N 100÷240 Vac 50/60 Hz
	O 24 Vac / Vdc

Field 4	liquid end	Body	Balls	Seals	Diaphragm
	P	PVDF-T	Ceramic	FPM	PTFE
	C	PVDF-T	Ceramic	FPM / EPDM	PTFE <i>for CAR WASH use</i>
	H	PVDF	Ceramic	FPM / EPDM	PTFE

Field 5	installation kit
	E PVDF-T
	H PVDF

KOMPACT Series - CODIFYING SYSTEM

Field 6	seals	
	0 FPM	
	1 EPDM	

Field 7	market	
	0 ALL	
	U USA market	
	7 BRASIL market	
	8 CHINA market	
	

Field 8	optional	
	0 standard	

Field 9	customization	
	0 standard	

KOMPACT Series - MAINTENANCE KIT

- MAINTENANCE KIT** is composed by:
- **Complete pump head** Pump head
 O-Ring
 Screws
 Protection cups of the screws
 - **Diaphragm**
 - **Installation kit** Foot filter
 Injection valve
 2mt PE tube (delivery)
 4mt PVC tube (suction and discharge)

MATERIAL	SEALS	200	Code
PVDF-T	FPM	●	EM99106898
	EPDM	●	EM99106899

KOMPACT Series - RESUME TABLE

Common characteristics

- Analog and digital dosing pump with constant or proportional flow rate, manually adjustable 0-100%, level control input (*except that AMS model*).
- Power supply standard: multivoltage 100÷ 240 Vac 50-60 Hz (*except that AMS model*). 24 Vac/Vdc on request.
- Complete installation kit composed by: foot filter, injection valve, screws and fixing bracket.
- PVC suction tube, PE delivery tube.
- PTFE diaphragm.
- Manually priming valve.
- Case made in PP reinforced with fiber glass. IP65 rated.

ANALOG models

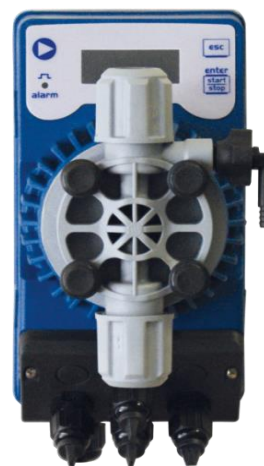
- Solenoid dosing pump with constant flow rate, manually adjustable 0-100%.
- Solenoid dosing pump with constant flow rate, manually adjustable, two frequency range (0÷20% - 0÷100%), level control input.
- Solenoid dosing pump with constant flow rate manually adjustable, and proportional flow rate according to an external analog (4-20 mA) signal, level control input.
- Solenoid dosing pump with constant flow rate manually adjustable, and proportional flow rate according to an external digital (water meter) signal, Division Mode 4:1, level control input.



Hydraulics
AMS
AML
AMM
AMC

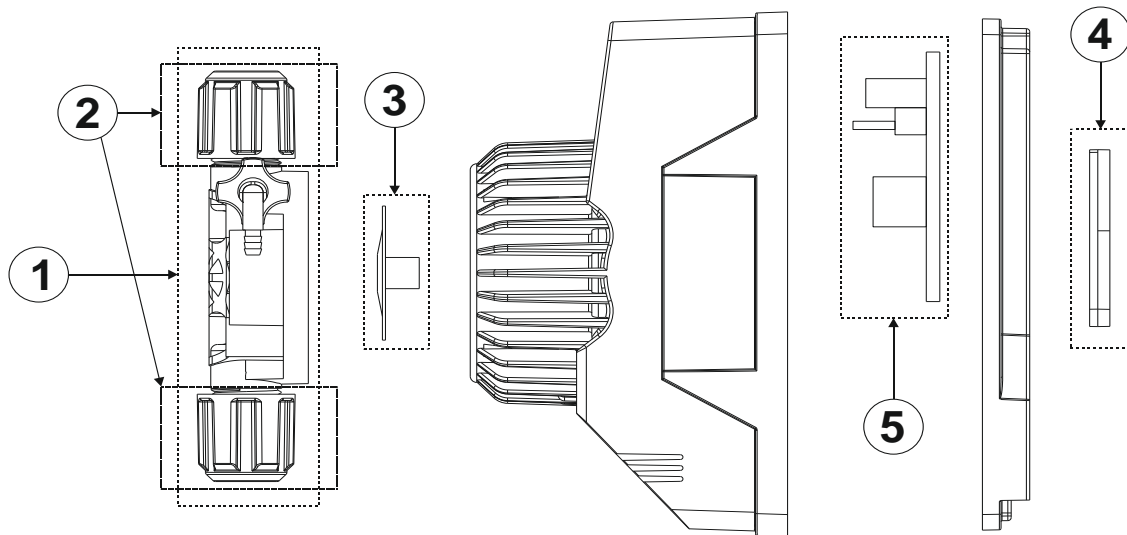
DIGITAL models

- Digital dosing pump with constant flow rate manually adjustable, with proportional flow rate according to an external analog (0/4-20 mA or 20-4/0 mA) or digital signal (water meter, hall sensor or voltage signal); Timed dosing with a weekly programmable timer; Dosage in ppm; Dosage batch; Statistics; Password. Input On-Off (remote control).
- Digital dosing pump with constant flow rate manually adjustable, with proportional flow rate according the measured pH or Redox value. PT100 probe input (thermal compensation). Input On-Off (remote control).



Model
DPT
DRP

KOMPACT Series - SPARE PARTS



Ref.	Description	Model	Code
1	Complete Pump Head - made of PVDF-T, Ceramic balls, seals and Valves made of:	FPM	EM99106299
		EPDM	EM99106300
	Complete Pump Head - made of PVDF, Ceramic balls, seals and Valves made of:	FPM	EM99106413
COMPLETE PUMP HEAD is composed by: Pump Head with valve, pipe holder, pipe clamp and ring nut + screws and washers + security diaphragm o-ring			
2	Valve assembly - Suction + Discharge (PVDF-T / Ceramic), seals made of:	FPM	EM99070063
		EPDM	EM99070064
3	Diaphragm	<i>all the models</i>	EM99106341
4	Mounting bracket	<i>all the models</i>	EM99106823
5	Electronic Control Boards	AMS	EM99106754
		AML	EM99106755
		AMC	EM99106756
		AMM	EM99106757
		DPT	
		DRP	EM99106929
		Display	
PVC Suction tube		100 mt	<i>all the models</i>
PE delivery tuve			<i>all the models</i>
Installation Kit- PP: Foot valve, Screws, Injection valve, 2m PE tube (delivery), 4 mt PVC tube (suction and bleed) Seals made of:		FPM	<i>all the models</i>
		EPDM	<i>all the models</i>
			EM99106769
			EM99106768

INVIKTA Series



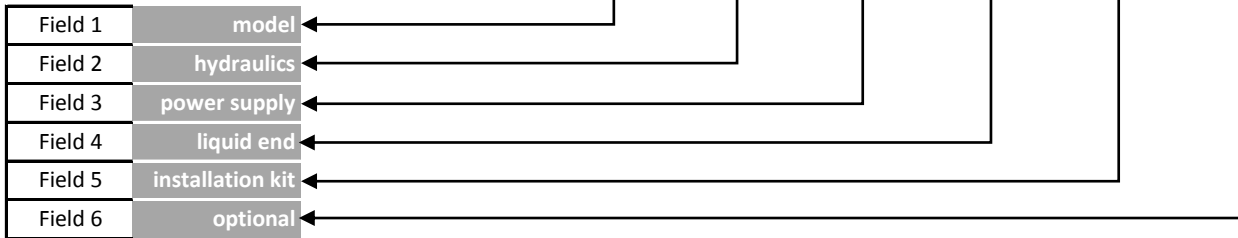
INDEX

INVIKTA Series

	page 58
Codifying System	page 60
Resume Table	page 61
Extraprices	page 61
Spare Parts	page 62

INVIKTA Series - CODIFYING SYSTEM

Field 1	Field 2	Field 3	Field 4	Field 5	Field 6
KCS	633	A	VF	K	00



Field 1	model	Analog
		KCS

Field 2	hydraulics	bar	l/h	stroke/1'	ml/stroke	tubing Ø	consumption
	620	1	0,2	20	0,17	in - 4/6	
	630	7	0,6	100	0,10		
	631	2	5	110	0,76	out - 4/6	
	632	7	2	100	0,33		
	633	5	5	160	0,52		

Field 3	power supply	A 230 Vac 50 Hz O 24 Vac 50-60 Hz
---------	--------------	--------------------------------------

Field 4	liquid end	Body	Balls	Seals	Diaphragm	
	VF	PVDF-T	Ceramic	FPM	PTFE	
	VE	PVDF-T	Ceramic	EPDM	PTFE	
	CF	PVDF-T	Ceramic	FPM	PTFE	<i>for CAR WASH use</i>
	CE	PVDF-T	Ceramic	EPDM	PTFE	<i>for CAR WASH use</i>
	HF	PVDF	Ceramic	FPM	PTFE	

Field 5	installation kit	K KOMPACT type - standard D Detergent R Rinse S Silent (only injection valve) W Water Treatment (only with HF pump head)
---------	------------------	---

Field 6	optional	00 STANDARD 70 BRASIL market 80 CHINA market
---------	----------	--

INVIKTA Series - RESUME TABLE

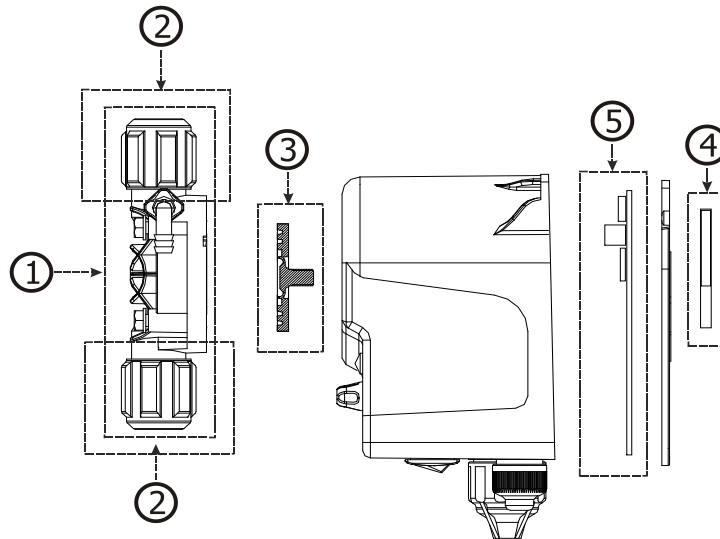
- Analog solenoid dosing pump - manually adjustable 0-100%
- Power supply standard: 230 Vac 50-60 Hz (24 Vac 50-60 Hz on request)
- Complete installation kit composed by: foot filter, injection valve, screws and fixing bracket.
- PVC suction tube, PE delivery tube.
- PTFE diaphragm. PVDF-T pump head as standard.
- Manually priming valve.
- Case made in PP reinforced with fiber glass. IP65 rated.
- **Special Version:** **620** **"Silent "**
 630 **"Low Flow "**

KCS series



Hydraulics
620
630
631
632
633

INVIKTA Series - SPARE PARTS



Ref.	Description	Model	Code
1	Complete Pump Head - made of PVDF-T, Ceramic balls, seals and Valves made of:	FPM	EM99106299
		EPDM	EM99106300
	Complete Pump Head - made of PVDF, Ceramic balls, seals and Valves made of:	FPM	EM99106413

Complete Pump Head:

Body pump with valves + Screws and washers + Security diaphragm o-ring

2	Valve assembly - Suction + Discharge (PVDF-T / Ceramic), seals made of:	FPM	<i>all the models</i>	EM99070063
		EPDM	<i>all the models</i>	EM99070064
3	Diaphragm		<i>all the models</i>	EM99106341
4	Mounting bracket		<i>all the models</i>	EM99106303
5	Electronic Control Boards		620	
			630	
			631	
			632	EM99106997
			633	EM99106998
	PVC Suction tube	100 mt	<i>all the models</i>	000090001
	PE delivery tube			000090002
	WTD Installation Kit- PVC Foot valve, Screws, Injection valve, 2m PE tube (delivery), 4 mt PVC tube (suction and bleed) Seals made of:	FPM	<i>all the models</i>	EM99106309
		EPDM		EM99106307
	DETERGENT installation kit: foot valve, screw, injection valve, 2m PE tubing (delivery), 4 m PVC tubing (suction)	PP / EPDM	631	EM99106306
	RINSE installation kit: foot valve, screw, injection valve, 6-8 mm adapter, 2m PE tubing (delivery), 4 m PVC tubing (suction)	PP / FPM	632	EM99106308

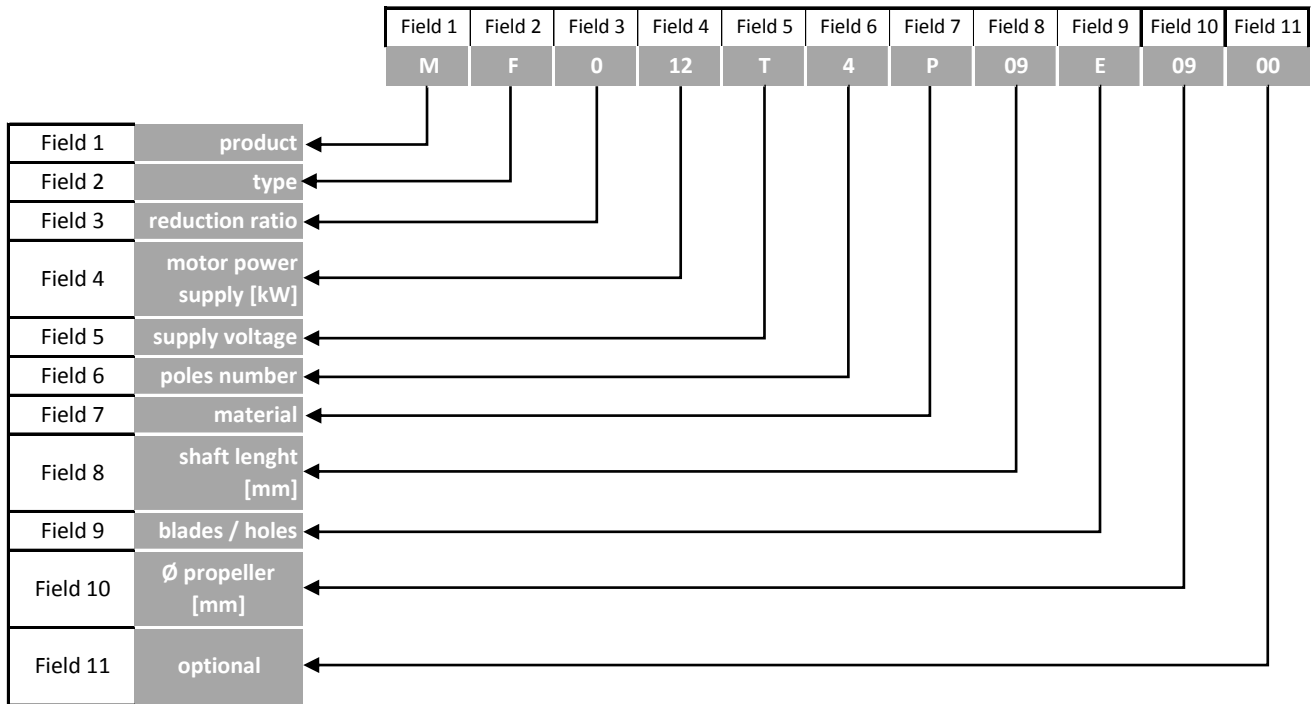
ACCESSORIES



INDEX

ACCESSORIES	page 63
MIXERS	
Codifying System	page 65
Resume Table	page 67
Spare Parts	page 68
WATER METER	
Codifying System	page 70
Resume Table <i>THREADED</i>	page 72
Spare Parts	page 72
Resume Table <i>FLANGED</i>	page 73
DIMENSIONS	page 73
Tank	
Suction Devices	page 74
Valve	page 75
Pump Head	page 77
Other Accessories	page 78
	page 79

ACCESSORIES - Mixers - CODYFING SYSTEM



Field 1	product	M Mixers
---------	---------	-----------------

Field 2	type	F Fast - <i>without Reduction Gear</i> S Slow - <i>with Reduction Gear</i>
---------	------	---

Field 3	reduction ratio	0 1:1 Fast Speed - ONLY with F type 1 1:7 200 rpm 2 1:20 70 rpm ... : :
---------	-----------------	---

Field 4	motor power	kW 12 0,12 18 0,18 25 0,25 37 0,37 ... : :
---------	-------------	--

Field 5	supply voltage	<i>and phases</i> M 230 Vac 50 Hz - 1phase N 230 Vac 60 Hz - 1phase T 230 / 400Vac 50-60 Hz - 3phases
---------	----------------	---

ACCESSORIES - Mixers - CODYFING SYSTEM

Field 6	poles number	
	2	2 poles
	4	4 poles
	6	6 poles
	8	8 poles

Field 7	material	
	A	SS 316
	P	PVC
	V	PVDF
	T	PTFE

Field 8	shaft length	mm
	06	600
	08	800
	09	900
	11	1100

Field 9	blades / holes	
	A	2
	B	3 WITH HOLES
	C	6
	D	2
	E	3 WITHOUT HOLES
	F	6

Field 10	∅ propeller	mm
	09	90
	15	150
	22	220

Field 11	optional	
	00	standard

ACCESSORIES - Mixers - RESUME TABLE

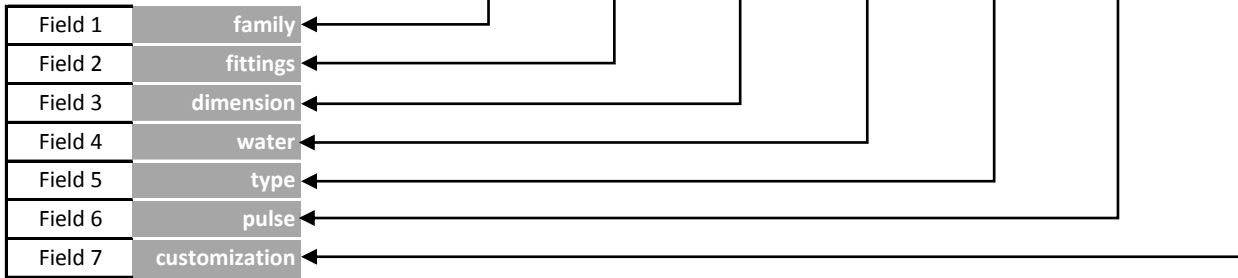
FAST 1400 rpm		shaft mm	propeller mm	motor kW	material	code	Mixer normally in stock are in BOLD	SER model
	3 phases	600	90	0,12	PVC	MF012T4P06D0900		
					AISI 316	MF012T4A06D0900	250	
		800			PVC	MF012T4P08D0900	300	
					AISI 316	MF012T4A08D0900	500	
		900			PVC	MF012T4P09D0900	1000	
					AISI 316	MF012T4A09D0900		
		1100			PVC	MF012T4P11D0900		
					AISI 316	MF012T4A11D0900		
	1 phase	600	90		PVC	MF012M4P06D0900	100	
					AISI 316	MF012M4A06D0900	250	
		800			PVC	MF012M4P08D0900	300	
					AISI 316	MF012M4A08D0900	500	
		900			PVC	MF012M4P09D0900	1000	
					AISI 316	MF012M4A09D0900		
1100		PVC			MF012M4P11D0900			
		AISI 316			MF012M4A11D0900			
EXTRA PRICE on PVC version					PVDF	all		

SLOW 200 rpm		shaft mm	propeller mm	motor kW	material	code	Mixer normally in stock are in BOLD	SER model
	3 phases	600	150	0,12	PVC	MS112T4P06E1500		
					AISI 316	MS112T4A06E1500	250	
		800			PVC	MS112T4P08E1500	300	
					AISI 316	MS112T4A08E1500	500	
		900			PVC	MS112T4P09E2200	1000	
					AISI 316	MS112T4A09E2200		
		1100			PVC	MS112T4P11E2200		
					AISI 316	MS112T4A11E2200		
	1 phase	600	150		PVC	MS112M4P06E1500	100	
					AISI 316	MS112M4A06E1500	250	
		800			PVC	MS112M4P08E1500	300	
					AISI 316	MS112M4A08E1500	500	
		900			PVC	MS112M4P09E2200	1000	
					AISI 316	MS112M4A09E2200		
		1100			PVC	MS112M4P11E2200		
					AISI 316	MS112M4A11E2200		
EXTRA PRICE on PVC version					PVDF	all		

Mixer-Tank Advised combination

ACCESSORIES - Water Meters - CODYFING SYSTEM

Field 1	Field 2	Field 3	Field 4	Field 5	Field 6	Field 7
WM	F	050	H	0	A	0



Field 1	family	
---------	--------	--

WM Water Meter

Field 2	fittings	
---------	----------	--

T Threaded

F Flanged

Field 3	dimension	
---------	-----------	--

013 1/2"

020 3/4"

025 1" Threaded

030 1 1/4"

040 1 1/2"

050 2"

050 2"

065 2 1/2"

080 3" Flanged

100 4"

150 6"

Field 4	water		T° MAX threaded	T° MAX flanged
	C	Cold	30° C	50° C
	H	Hot	90° C	120° C

Field 5	type	
---------	------	--

0 Water Meter

1 Water Meter + Pulse Sender

ACCESSORIES - Water Meters - CODYFING SYSTEM

Field 6	pulse	
	0	0
	A	1 Pulse / liter
	D	4 (ONLY for <i>threaded</i> version)
	0	0
	I	100 Liter / pulse
	L	1000 (ONLY for <i>flanged</i> version)

Field 7	customization	
	0	standard
	B	BNC connector
	W	wet

ACCESSORIES - THREADED Water Meters - RESUME TABLE

TC1 series

- Single-jet water meters with pulse sender, dry dial and roller reading.
- Suitable for cold water up to 30° C.



inch	mm	4 pulse/l	1 pulse/l
1/2"	13	WMT013C1D0	WMT013C1A0
3/4"	20	WMT020C1D0	WMT020C1A0
1"	25	WMT025C1D0	WMT025C1A0
1"¼	30	WMT030C1D0	WMT030C1A0
1"½	40	WMT040C1D0	WMT040C1A0
2"	50	WMT050C1D0	WMT050C1A0

TH1 series

- Single-jet water meters with pulse sender, dry dial and roller reading.
- Suitable for cold water up to 90° C.



inch	mm	4 pulse/l	1 pulse/l
1/2"	13	WMT013H1D0	WMT013H1A0
3/4"	20	WMT020H1D0	WMT020H1A0
1"	25	WMT025H1D0	WMT025H1A0
1"¼	30	WMT030H1D0	WMT030H1A0
1"½	40	WMT040H1D0	WMT040H1A0
2"	50	WMT050H1D0	WMT050H1A0

TC0 series

- Single-jet water meters without pulse sender, dry dial and roller reading.
- Suitable for cold water up to 30° C.

inch	mm	DRY dial	Price	WET dial
1/2"	13	WMT013C000	€ 80,00	WMT013C00W
3/4"	20	WMT020C000	€ 92,00	WMT020C00W
1"	25	WMT025C000	€ 136,00	WMT025C00W
1"¼	30	WMT030C000	€ 171,00	WMT030C00W
1"½	40	WMT040C000	€ 285,00	WMT040C00W
2"	50	WMT050C000	€ 542,00	WMT050C00W

and Price

ACCESSORIES - FLANGED Water Meters SPECIFICATION TABLE

ask to Factory for Codes and

FC series

- Water-meter Woltmann series with dry dial reading and pulse sender.
- Suitable for cold water up to 30° C.



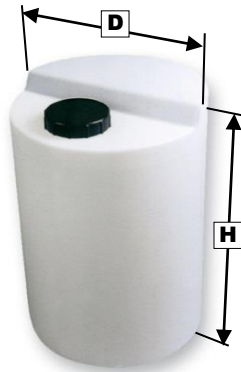
inch	mm	FC100	Price
2"	DN 50	WMF050C110	€ 618,00
2"1/2	DN 65	WMF065C110	€ 733,00
3"	DN 80	WMF080C110	€ 826,00
4"	DN 100	WMF100C110	€ 977,00

inch	mm	FC100	Price
6"	DN 150	WMF150C110	€ 1.277,00

ACCESSORIES - Tanks - RESUME TABLE

SER series

- Tanks made of FOOD GRADE POLYETHYLENE, with litre graduation.

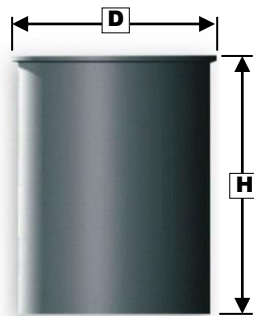


Model	H	Ø D	Code
SER 50	45,5	40	0000120042
SER 100	64	46	0000120043
SER 250	87	59,5	0000120044
SER 300	95	67	0000120045
SER 500	118,5	76	0000120046
SER 1000	122	108,5	0000120047

ACCESSORIES - Uncovered Security Tanks - RESUME TABLE

T series

- Tanks made of POLYETHYLENE, to contain tanks SER Series.



Model	for SER	H cm	Ø D cm	Code
T 150	SER 100	75,5	51	0000120070
T 300	SER 250	87,5	67	0000120071
T 400	SER 300	99	72	0000120072
T 800	SER 500	120	90	0000120073
T 1500	SER 1000	134	122	0000120074

ACCESSORIES - Suction Devices - RESUME TABLE

- Pre-assembled suction devices made of PVC/PP with foot valve to allow accurate operation of the metering pump. Suction devices are equipped with foot filter. Standard version in FPM; EPDM version available on request.



Ø 4x6	Ø 8x12	Dimension	Tank suitability	Code
•		450x22	SER 50	9900100074
	•	450x34		9900100076
•		650x22	SER 100	9900100085
	•	650x34		9900100089
•		900x22	SER 250	9900100084
	•	900x34		9900100088
•		1050x22	SER 300	9900100158
	•	1050x34		9900100162
•		1250x22	SER 500	9900100159
	•	1250x34	SER 1000	9900100163

- Pre-assembled suction devices made of PVC/PP **with single level control** that allows to stop the pump or to give alarm 50 mm above the lowest suction point. Standard version in FPM; EPDM version available on request.



Ø 4x6	Ø 8x12	Dimension	Tank suitability	Code
•		450x22	SER 50	9900100075
	•	450x34		9900100077
•		650x22	SER 100	9900100087
	•	650x34		9900100165
•		900x22	SER 250	9900100086
	•	900x34		9900100090
•		1050x22	SER 300	9900100160
	•	1050x34		9900100166
•		1250x22	SER 500	9900100161
	•	1250x34	SER 1000	9900100167

ACCESSORIES - Suction Devices - RESUME TABLE

Accessories

- for Suction Devices



Description	Dimension	Code
<p>Level probe + bracket: Useful to avoid dry pump dosing. Supplied with bracket to be connected with TeknaEVO pump foot filter.</p>		EM99121000
<p>Level probe: Made of PVC. Useful to avoid dry pump dosing. Reliable and well-built, it is resistant with almost marked chemical products. Suitable for all application.</p>	450x22	9900100073
<p>Extension modules: Made of PVC. Available for all suction devices sizes. Useful to adapt suction devices to the chemical tank.</p>	200x22	9900106304
	200x34	9900106306
	450x22	9900106305
	450x34	9900106307
<p>Level probe protection tube: Made of PVC. Used to protect the probe against the turbulence around the level probe when a mixer is installed.</p>	580 mm	0000123061
	900 mm	0000123062
	1090 mm	0000123063
<p>Tank/cap adaptor: Used to protect the operator against the chemical product fumes because it closes hermetically the hole where suction devices is inserted.</p>		0000190006

ACCESSORIES - Valves - RESUME TABLE

Valves

	Description	Material	Code
	Multifunction Valve		
	PVDF body PTFE diaphragm Safety pressure adjustable: 0÷18 bar Pressure relief adjustable: 0÷5 bar CONNECTION FOR 4/6 TUBE	FPM	EM99106740
		EPDM	EM99106741
	PVDF body PTFE diaphragm Safety pressure adjustable: 0÷18 bar Pressure relief adjustable: 0÷5 bar CONNECTION FOR 8/12 TUBE	FPM	EM99106742
		EPDM	EM99106743
	Backpressure Valve		
	PVDF body connection for 4/6 tube FIXED BACKPRESSURE: 1,5 BAR	FPM	EM99106628
		EPDM	EM99106629
	PVDF body connection for 4/6 tube ADJUSTABLE BACKPRESSURE: 0,5÷10 BAR	FPM	EM99106630
		EPDM	EM99106631
	PVC body connection for 4/6 and 8/12 tube ADJUSTABLE BACKPRESSURE: 0,5÷10 BAR	FPM	9900071123
		EPDM	9900071122
	Backpressure and Safety Valve - HY Series		
	PVC body Max flow rate: 50 l/h Max pressure: 10 bar Connection: 1/2" Gm - 4x6 and 8x12 tube PTFE diaphragm		
		FPM	9900071128
		EPDM	9900071131
		FPM	9900071129
		EPDM	9900071132
		FPM	9900071130
		EPDM	9900071133

ACCESSORIES - Pump head - RESUME TABLE

Pump head



Description	Material	Code	
Pump Head with Automatic Degassing Valve			
PVDF body - Ceramic balls connection for 4/6 tube loss of performance: within 10% <i>TEKNA-MAXIMA, 600 - 603 - 800 series</i>	FPM	EM99106870	
Pump head in SS316L			
body in SS316L - balls in SS316L <i>TEKNA-MAXIMA, 500 - 600 - 603 - 800 series</i>	FPM	EM99106944	
	EPDM		
body in SS316L - balls in SS316L <i>TEKNA-MAXIMA, 803 serie</i>	FPM		
	EPDM	EM99106943	
Flow Sensor			
connection for 4/6 and 8/12 tube	PVC	FPM	EM99106776
	PMMA	FPM	EM99106753
	PVDF	FPM	EM99106783
	PVC	EPDM	EM99106781
	PMMA	EPDM	
	PVDF	EPDM	